

**GROVE**

KLIMAANLAGE UW + OW  
 AIR CONDITIONING PLANT CARRIER

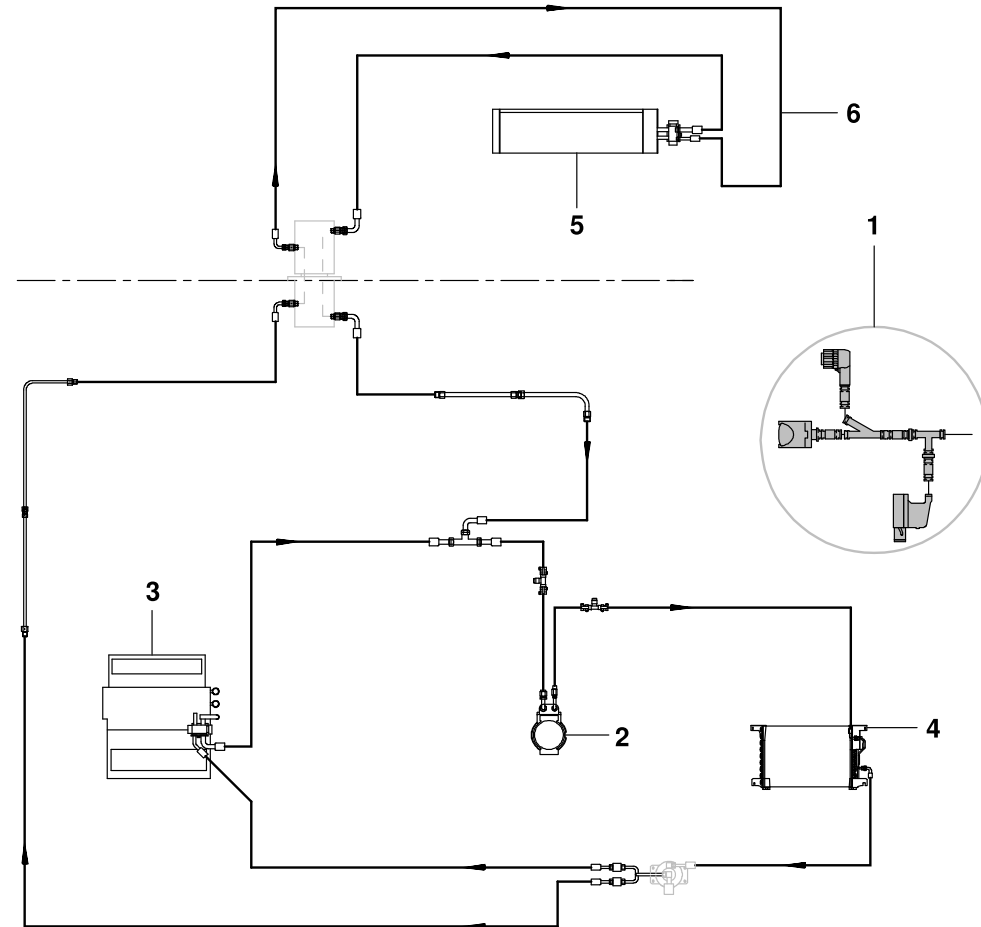
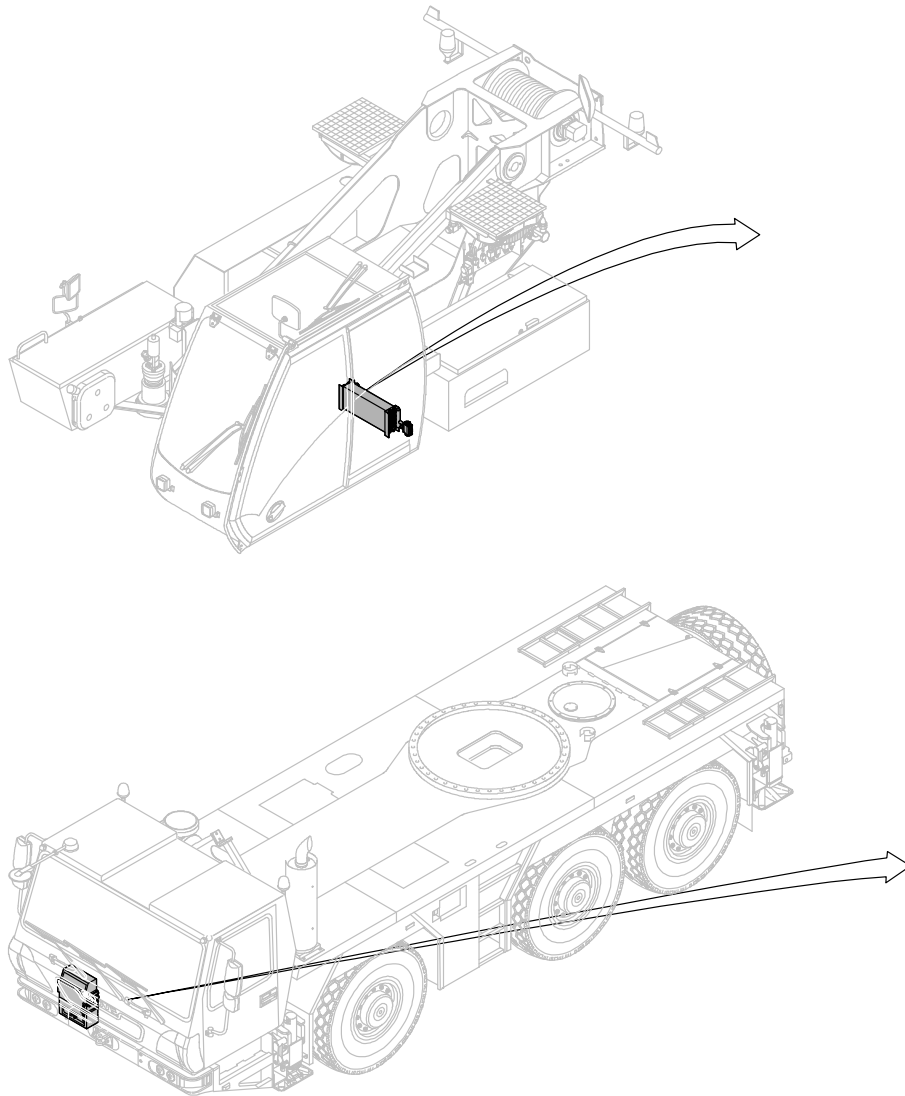
BILDTADEL  
 PICTORIAL DISPLAY

GMK 3050  
 BE 753  
 G 299

02.12

3179628-ETL #

1/1



3179628-0-BL01-0212-3050